

Serial Number Location

Introduction

Serial numbers are frequently requested when calling the factory for parts or service. This guide is intended as a general reference to help you locate your Sparling meters' serial number.



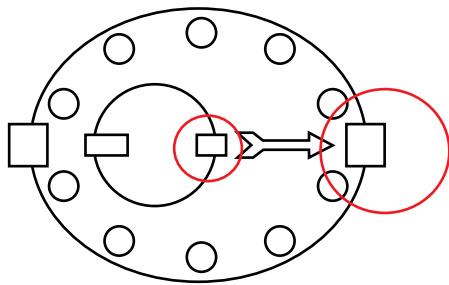
Propeller Meters

Propeller meter serial numbers are located in two places:

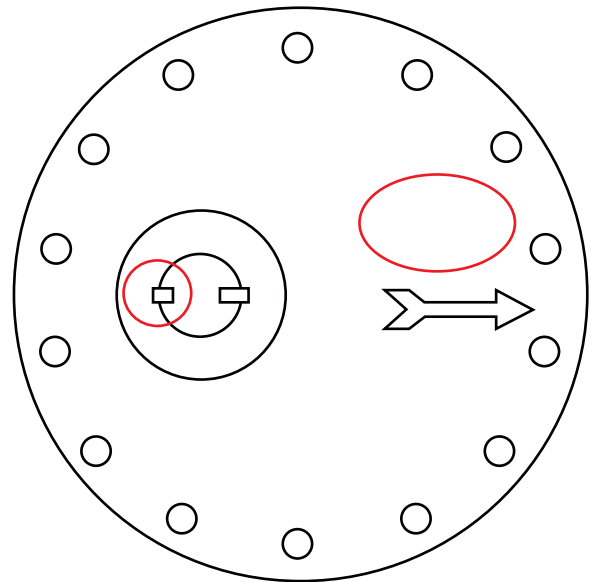
1. The lid of the register at the hinge
2. The cover plate

Locations on the cover plate can differ according to the type of propeller meter. Refer to the diagrams below. Possible locations are noted by the red circles below. Note: The serial number on the register and the cover plate should be the same. If not, please advise Sparling that they are different.

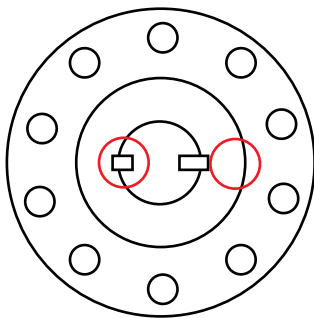
FM102, FM103, FM104, Mainline - 2" - 14"



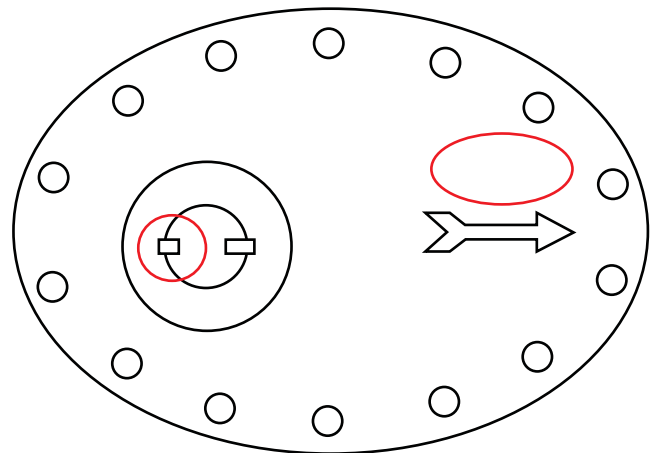
FM182, FM183, FM184, Mainline - 16" - 72"



VertiFlo FM132, FM134 - 4" - 14"



Old-Style Mainline or Mainline Replacement - 16" - 72"



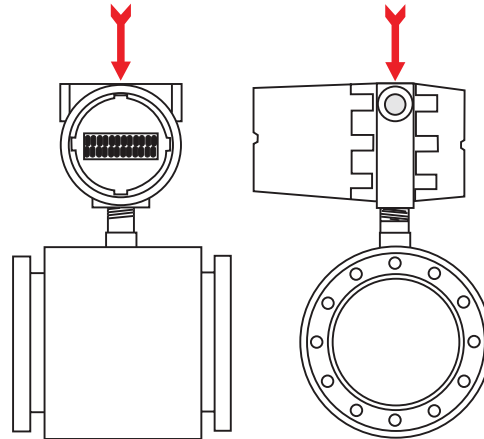
The red circles in the diagram above are possible locations of the serial numbers for your meter.

Magnetic Flow Meters

For Magnetic Flow meters, the location varies depending on the configuration of the transmitter.

1. Integral: Top of the center section of the orange transmitter enclosure as indicated by the red arrows.

Integral FM626, FM656 - All Sizes



2. Remote NEMA-4X:

Transmitter - The right side of the grey enclosure as indicated by the red arrow.

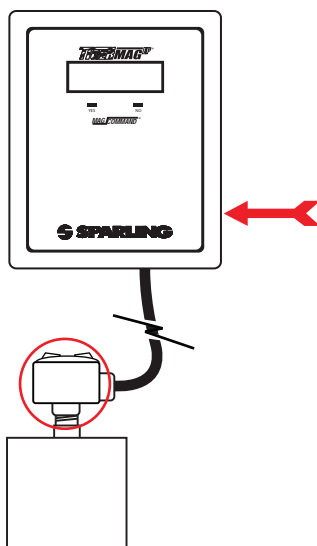
Sensor - The side of the orange sensor junction box as indicated by the red circle.

3. Remote NEMA-7:

Transmitter - Top of the center section of the orange transmitter enclosure as indicated by the red arrow.

Sensor - The side of the orange sensor junction box as indicated by the red circle

Remote FM626, FM656 - NEMA-4X All Sizes



Remote FM626, FM656 - NEMA-7 Remote All Sizes

